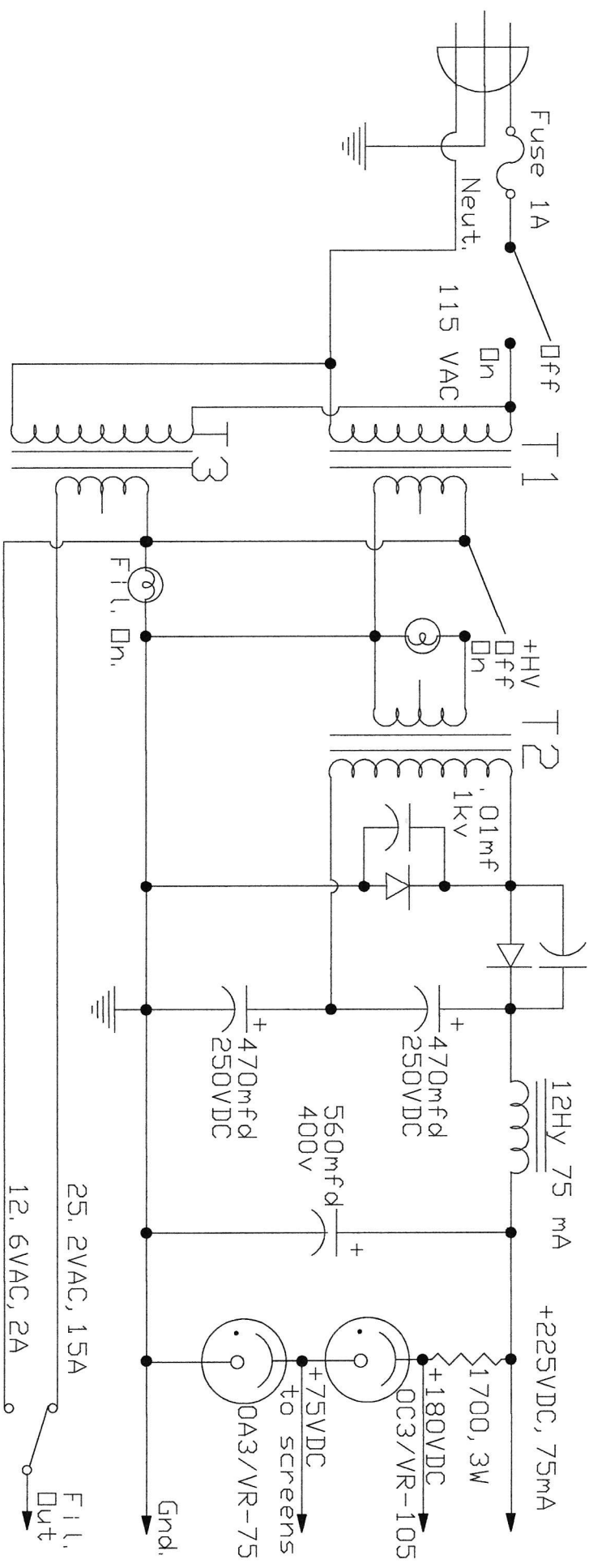


# ARC-5/BC-45X Power Supply



T1, T2 = Radio Shack 110 VAC pri., 12.6 VAC CT @ 3A Sec.  
 T3 = Radio Shack 110 VAC pri., 12.6 VAC CT @ 1.5A Sec.  
 EITHER filament output may be used; not BOTH at once.